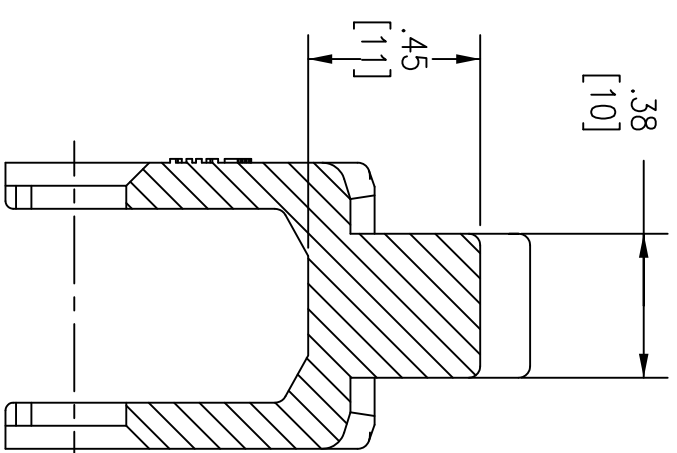
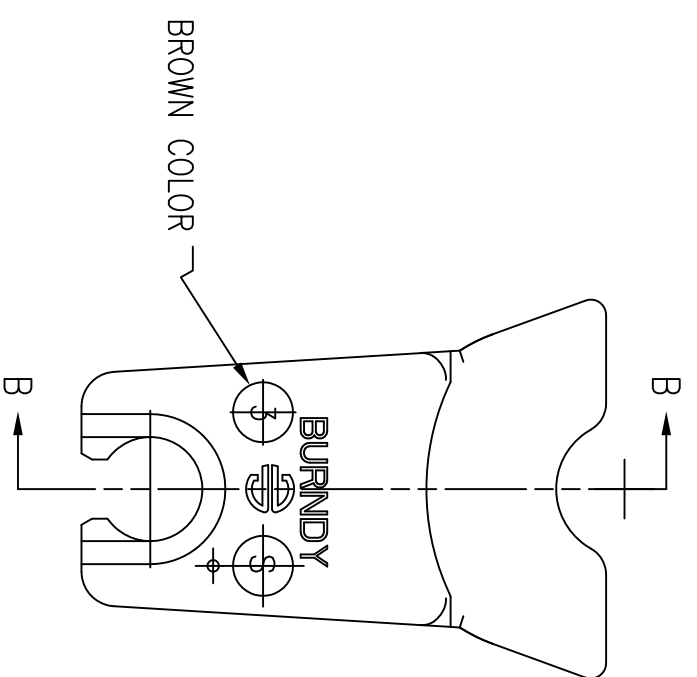
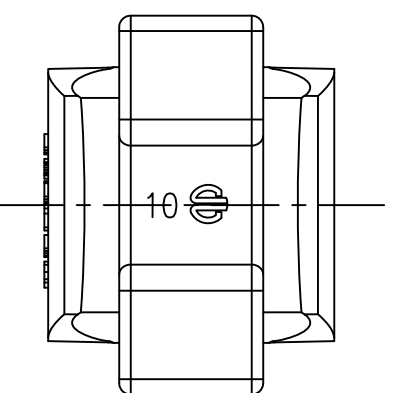
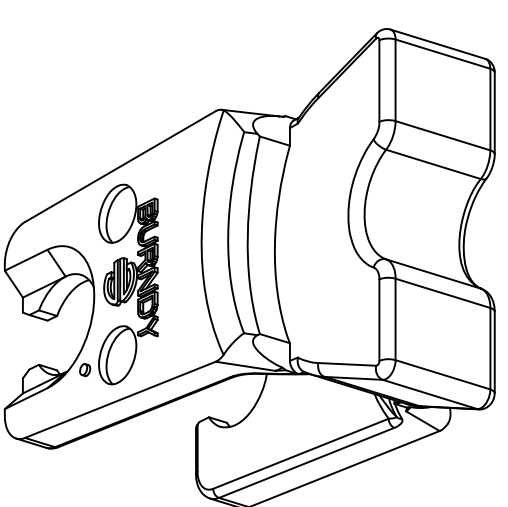
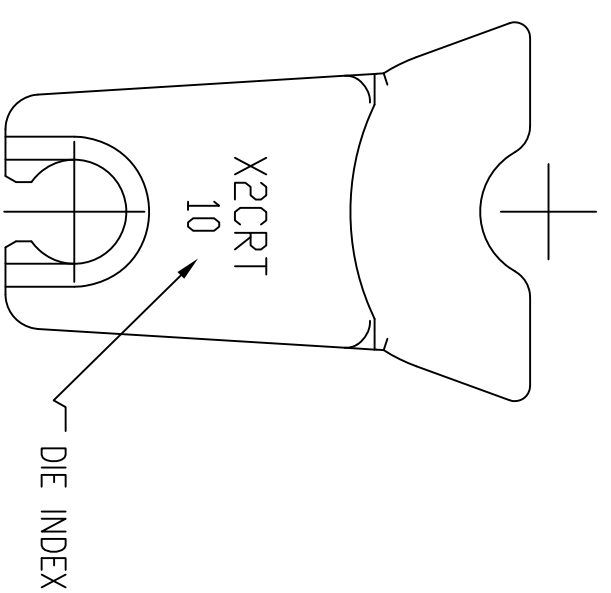


CATALOG NUMBER	DESCRIPTION
HX2CRT	2 AWG, 10 INDEX DIE SET

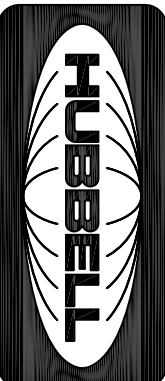


SECTION B-B



- NOTES:
1. KIT CONTAINS ONE DIE SET.
 2. MATERIAL: STAINLESS STEEL
 3. FITS HOUR840 COMPRESSION TOOL.
 4. SPECIFICATIONS SUBJECT TO CHANGE WITHOUT NOTICE.

REV.	ECN	DATE	DESCRIPTION	CHG BY	APPD BY
1	18024	12/10/12	INITIAL RELEASE	MMA	

Created on AUTOCAD		DIMENSIONING AND TOLERANCE PER ANSI Y14.5M-1994 UNLESS OTHERWISE SPECIFIED, DIMENSIONS ARE IN INCHES (MM). TOLERANCES .XX = ±.01 (.25) .XXX = ±.005 (.127) .XXXX = ±.0025 (.0635) ANGLE TOL ±1°	
PROJECT REFERENCE: 2011-041		PROJECT REFERENCE: 2011-041	
MATERIAL: SEE NOTES		MATERIAL: SEE NOTES	
DRAWN BY: C. GRIBBLE 10/10/12		DRAWN BY: C. GRIBBLE 10/10/12	
CHECKED BY:		CHECKED BY:	
APPROVED BY:		APPROVED BY:	
TITLE: DIE SET, 2 AWG, 10 INDEX X DIE SET FAMILY		 Hubbell Premise Wiring HUBBELL INCORPORATED (Delaware) 23 CLARA DRIVE, SUITE 103 MYSTIC, CT 06355	
SIZE C	DRAWING NO. HWS14181C	SCALE: N/A	SHEET 1 OF 1
REV.			1